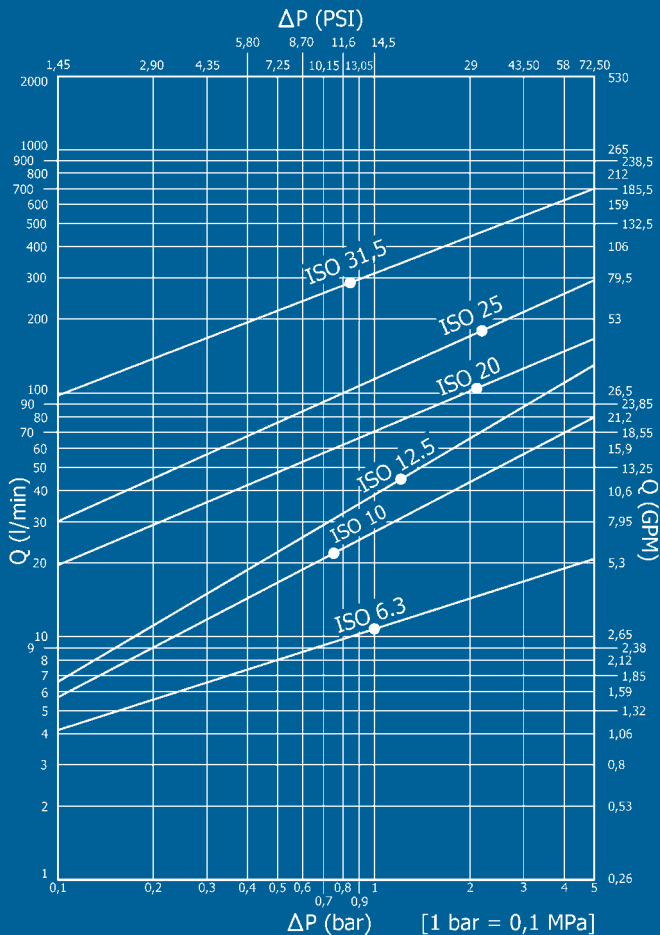


# PVV3



Nominal size				Max working pressure	Rated flow	Max flow rate	Min burst pressure			Fluid spillage
DNP	BG	ISO	mm				Male	Female	Coupled	
06	1	6.3	5	35	12	17	140	140	140	0,8
10	2	10	8,5	32,5	23	46	130	150	180	1,9
13	3	12.5	10,5	30	45	90	120	150	140	2,7
20	4	19	15,7	25	106	190	100	130	140	9,3
25	5	25	17,3	25	189	280	100	130	140	16
30	6	31.5	29,6	25	288	480	100	100	100	30



## Caratteristiche tecniche

- Intercambiabilità: con i principali produttori
- Occlusione: valvola
- Aggancio: a vite
- Materiale: acciaio
- Finitura: Zn-Fe (Cr III)
- Filettature: BSP – NPT – SAE – METRICHE
- Guarnizioni standard: NBR
- Temperatura d'esercizio: -25 °C +100 °C
- Guarnizioni opzionali: FKM, EPDM o altro
- Pressioni di esercizio: 250-350 bar
- Connessione in pressione: consentita (lato maschio o lato femmina)
- Massima pressione residua: pressione d'esercizio

## Technical data

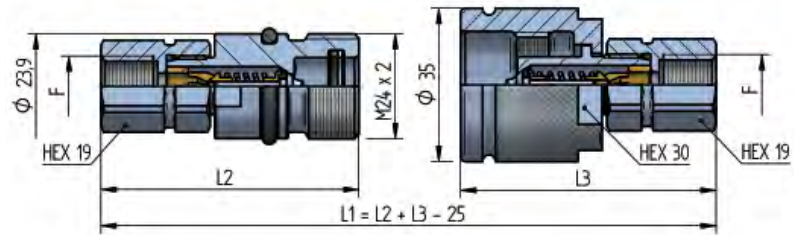
- Interchange: with the main producers
- Occlusion: poppet
- Locking: screw
- Material: steel
- Finishing: Zn-Fe (Cr III)
- Threads: BSP – NPT – SAE – METRIC
- Standard seals: NBR
- Working temperature: -25 °C +100 °C
- Optional seals: FKM, EPDM or more
- Working pressure: 250-350 bar
- Connection under pressure: allowed (both male or female side)
- Max residual pressure: working pressure

## Technische Merkmale

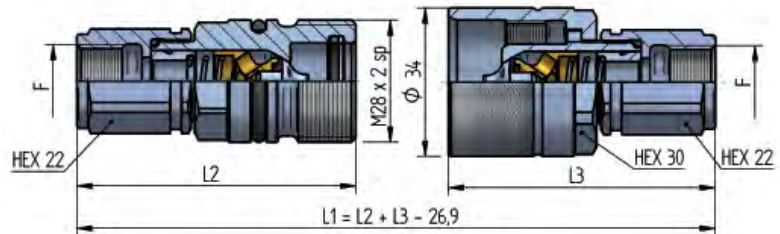
- Austauschbarkeit: mit den wichtigsten Lieferanten
- Verschluss: ventil
- Kupplung: Schraubweise
- Werkstoff: Stahl
- Ausführung: Zn-Fe (Cr III)
- Gewinde: BSP – NPT – SAE – METRISCHE
- Standard-Dichtungen: NBR
- Betriebstemperatur: -25 °C +100 °C
- Dichtungen nach Wahl: FKM, EPDM, usw.
- Betriebsdruck: 250-350 bar
- Kuppeln unter Druck: erlaubt (Steckerseite oder Muffenseite)
- Max. Restdruck: Betriebsdruck

## Caracteristiques techniques

- Intercambiabilité: avec les principaux producteurs
- Obturation: clapet
- Accrochage: a vissé
- Matériel: acier
- Traitement: Zn-Fe (Cr III)
- Taraudage: BSP – NPT – SAE – METRIQUES
- Joints standard: NBR
- Température de service: -25 °C +100 °C
- Joints facultatifs: FKM, EPDM, ect.
- Pression de service: 250-350 bar
- Connexion sous pression: possible (côté male ou femelle)
- Pression restante max: pression de service

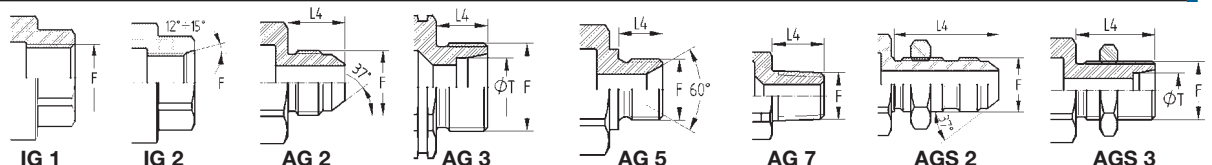
**PVV3 DN06 - BG 1 - ISO 6.3**


THREADS	L2	L3	L4	ØT	F	STANDARD	FEMMINA - FEMALE - MUFFE - FEMELLE			MASCIO - MALE - STECKER - MALE		
							COD. F	Weight (g)	Packaging (pcs.)	COD. M	Weight (g)	Packaging (pcs.)
IG 1	59	58			BSP 1/4"	DIN 3852-2-X	PVV3.0606.112	122	100	PVV3.0606.113	184	45
	59	58			NPT 1/4"	ANSI B1.20.3	PVV3.0606.012	123	100	PVV3.0606.013	185	45
AG 3	58	57	10	Ø8L	M14x1,5	ISO 8434-1-L	PVV3.0614.302	110	100	PVV3.0614.303	172	45
AGS 3	73	73	25	Ø8L	M14x1,5	ISO 8434-1-L	PVV3.0614.502	123	88	PVV3.0614.503	185	45

**PVV3 DN10 - BG 2 - ISO 10**


THREADS	L2	L3	L4	ØT	F	STANDARD	FEMMINA - FEMALE - MUFFE - FEMELLE			MASCIO - MALE - STECKER - MALE		
							COD. F	Weight (g)	Packaging (pcs.)	COD. M	Weight (g)	Packaging (pcs.)
IG 1	64	61,2			BSP 1/4"	DIN 3852-2-X	PVV3.1006.112	166	76	PVV3.1006.113	171	45
	64	61,2			NPT 1/4"	ANSI B1.20.3	PVV3.1006.012	167	76	PVV3.1006.013	172	45
	64	61,2			BSP 3/8"	DIN 3852-2-X	PVV3.1010.112	157	76	PVV3.1010.113	162	45
	64	61,2			NPT 3/8"	ANSI B1.20.3	PVV3.1010.012	159	76	PVV3.1010.013	164	45
	64	61,2			M16x1,5	ISO 6149-1	PVV3.1016.102	160	76	PVV3.1016.103	165	45
	64	61,2			M18x1,5	ISO 6149-1	PVV3.1018.102	153	76	PVV3.1018.103	158	45
IG 2	64	61,2			9/16"-18 UNF 2B	SAE J 1926-1	PVV3.1015.032	163	76	PVV3.1015.033	168	45
AG 2	65,9	63,1	14,1		9/16"-18 UNF 2A	SAE J 514	PVV3.1015.302	151	76	PVV3.1015.303	156	45
AGS 2	85,1	82,3	33,3		9/16"-18 UNF 2A	SAE J 514	PVV3.1015.502	164	76	PVV3.1015.503	169	45
AG 5	66,3	63,5	12		BSP 3/8"	DIN 3852-2-B	PVV3.1010.212	159	76	PVV3.1010.213	164	45
	65,8	63	12		BSP 1/4"	DIN 3852-2-A	PVV3.1006.712	154	76	PVV3.1006.713	159	45
	66,3	63,5	12		BSP 3/8"	DIN 3852-2-A	PVV3.1010.712	159	76	PVV3.1010.713	164	45
AG 7	65,8	63	14		NPT 1/4"	ANSI B1.20.3	PVV3.1006.022	153	76	PVV3.1006.023	158	45
	65,8	63	14		R 1/4"-19	UNI ISO 7/1	PVV3.1006.042	153	76	PVV3.1006.043	158	45
AG 3	61,8	59	10	Ø6L	M12x1,5	ISO 8434-1-L	PVV3.1012.302	148	76	PVV3.1012.303	153	45
	61,8	59	10	Ø8L	M14x1,5	ISO 8434-1-L	PVV3.1014.302	149	76	PVV3.1014.303	154	45
	62,8	60	11	Ø10L	M16x1,5	ISO 8434-1-L	PVV3.1016.302	150	76	PVV3.1016.303	155	45
	62,8	60	11	Ø12L	M18x1,5	ISO 8434-1-L	PVV3.1018.302	151	76	PVV3.1018.303	156	45
	63,8	61	12	Ø8S	M16x1,5	ISO 8434-1-S	PVV3.1016.402	154	76	PVV3.1016.403	159	45
	63,8	61	12	Ø10S	M18x1,5	ISO 8434-1-S	PVV3.1018.402	156	76	PVV3.1018.403	161	45
AGS 3	63,8	61	12	Ø12S	M20x1,5	ISO 8434-1-S	PVV3.1020.402	158	76	PVV3.1020.403	163	45
	77,8	75	26	Ø6L	M12x1,5	ISO 8434-1-L	PVV3.1012.502	165	76	PVV3.1012.503	170	45
	77,8	75	26	Ø8L	M14x1,5	ISO 8434-1-L	PVV3.1014.502	169	76	PVV3.1014.503	174	45
	77,8	75	26	Ø10L	M16x1,5	ISO 8434-1-L	PVV3.1016.502	175	76	PVV3.1016.503	180	45
	77,8	75	26	Ø12L	M18x1,5	ISO 8434-1-L	PVV3.1018.502	180	76	PVV3.1018.503	185	45
	78,8	76	27	Ø8S	M16x1,5	ISO 8434-1-S	PVV3.1016.602	183	76	PVV3.1016.603	188	45
	78,8	76	27	Ø10S	M18x1,5	ISO 8434-1-S	PVV3.1018.602	190	76	PVV3.1018.603	195	45
	78,8	76	27	Ø12S	M20x1,5	ISO 8434-1-S	PVV3.1020.602	199	76	PVV3.1020.603	204	45

THREADS



IG 1

IG 2

AG 2

AG 3

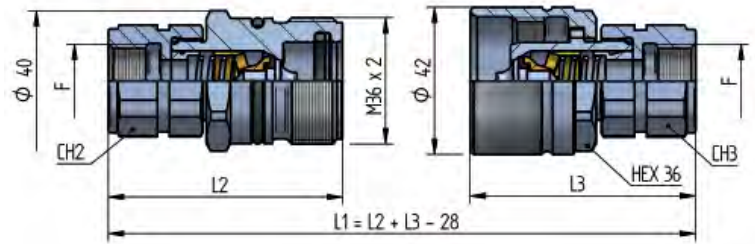
AG 5

AG 7

AGS 2

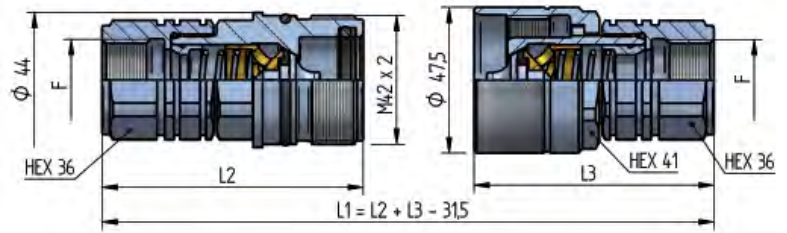
AGS 3

**PV3 DN13 - BG 3 - ISO 12.5**



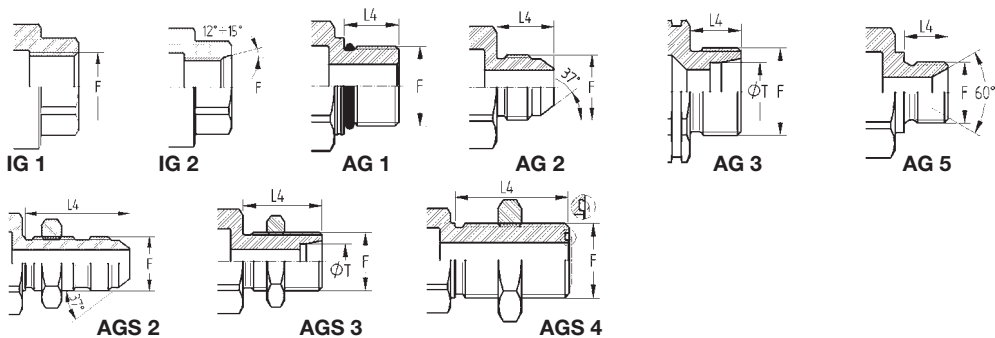
THREADS	CH2	L2	CH3	L3	L4	ØT	F	STANDARD	FEMMINA - FEMALE - MUFFE - FEMELLE			MASCHIO - MALE - STECKER - MALE		
									COD. F	Weight (g)	Packaging (pcs.)	COD. M	Weight (g)	Pack. (pcs.)
<b>IG 1</b>	30	67	30	64,5			BSP 3/8"	DIN 3852-2-X	PW3.1310.112	316	40	PW3.1310.113	271	30
	30	69,5	30	67			NPT 3/8"	ANSI B1.20.3	PW3.1310.012	342	40	PW3.1310.013	297	30
	30	67	30	64,5			BSP 1/2"	DIN 3852-2-X	PW3.1313.112	312	40	PW3.1313.113	267	30
	30	70	30	67,5			NPT 1/2"	ANSI B1.20.3	PW3.1313.012	326	40	PW3.1313.013	281	30
	36	72,5	36	70			BSP 3/4"	DIN 3852-2-X	PW3.1319.112	365	40	PW3.1319.113	320	30
	36	72,5	36	70			NPT 3/4"	ANSI B1.20.3	PW3.1319.012	374	40	PW3.1319.013	329	30
	30	67	30	64,5			M14x1,5	ISO 6149-1	PW3.1314.102	325	40	PW3.1314.103	280	30
	30	67	30	64,5			M16x1,5	ISO 6149-1	PW3.1316.102	319	40	PW3.1316.103	274	30
	30	67	30	64,5			M18x1,5	ISO 6149-1	PW3.1318.102	313	40	PW3.1318.103	268	30
	30	67	30	64,5			M20x1,5	ISO 6149-1	PW3.1320.102	316	40	PW3.1320.103	271	30
<b>IG 2</b>	30	67	30	64,5			9/16"-18 UNF 2B	SAE J 1926-1	PW3.1315.032	323	40	PW3.1315.033	278	30
	30	67	30	64,5			3/4"-16 UNF 2B	SAE J 1926-1	PW3.1319.032	318	40	PW3.1319.033	273	30
	30	71	30	68,5			7/8"-14 UNF 2A	SAE J 1926-1	PW3.1323.032	317	40	PW3.1323.033	272	30
	30	69	30	66,5			M16x1,5	SAE J 2244/1	PW3.1316.112	333	40	PW3.1316.113	288	30
	30	67	30	64,5			M22x1,5	SAE J 2244/1	PW3.1322.102	305	40	PW3.1322.103	260	30
<b>AG 1</b>	27	67,1	27	64,6	11,1		3/4"-16 UNF 2A	SAE J 1926-3	PW3.1319.332	283	40	PW3.1319.333	238	30
	30	70	30	67,5	16		M20x1,5	ISO 6149-2	PW3.1320.222	303	40	PW3.1320.223	258	30
<b>AG 2</b>	30	70,7	30	68,2	16,7		3/4"-16 UNF 2A	SAE J 514	PW3.1319.302	293	40	PW3.1319.303	248	30
<b>AGS 2</b>	30	91,6	30	89,1	37,6		3/4"-16 UNF 2A	SAE J 514	PW3.1319.502	320	40	PW3.1319.503	275	30
	30	95,1	30	92,6	41,1		7/8"-14 UNF 2A	SAE J 514	PW3.1323.502	336	40	PW3.1323.503	291	30
<b>AG 5</b>	30	68,5	30	66	12		BSP 3/8"	DIN 3852-2-B	PW3.1310.212	294	40	PW3.1310.213	249	30
	30	71	30	68,5	13		BSP 1/2"	DIN 3852-2-B	PW3.1313.212	302	40	PW3.1313.213	257	30
	30	65	30	62,5	11		M16x1,5	DIN 3863-U	PW3.1316.702	286	40	PW3.1316.703	241	30
	30	70	30	67,5	16		M20x1,5	DIN 3863-U	PW3.1320.702	299	40	PW3.1320.703	254	30
	30	68	30	65,5	14		M22x1,5	DIN 3863-U	PW3.1322.702	296	40	PW3.1322.703	251	30
<b>AG 3</b>	30	64	30	61,5	10	08L	M14x1,5	ISO 8434-1-L	PW3.1314.302	284	40	PW3.1314.303	239	30
	30	65	30	62,5	11	10L	M16x1,5	ISO 8434-1-L	PW3.1316.302	285	40	PW3.1316.303	240	30
	30	65	30	62,5	11	12L	M18x1,5	ISO 8434-1-L	PW3.1318.302	286	40	PW3.1318.303	241	30
	30	66	30	63,5	12	15L	M22x1,5	ISO 8434-1-L	PW3.1322.302	291	40	PW3.1322.303	246	30
	30	66	30	63,5	12	18L	M26x1,5	ISO 8434-1-L	PW3.1326.302	296	40	PW3.1326.303	251	30
	30	66	30	63,5	12	10S	M18x1,5	ISO 8434-1-S	PW3.1318.402	291	40	PW3.1318.403	246	30
	30	66	30	63,5	12	12S	M20x1,5	ISO 8434-1-S	PW3.1320.402	293	40	PW3.1320.403	248	30
	30	68	30	65,5	14	14S	M22x1,5	ISO 8434-1-S	PW3.1322.402	298	40	PW3.1322.403	253	30
	30	68	30	65,5	14	16S	M24x1,5	ISO 8434-1-S	PW3.1324.402	299	40	PW3.1324.403	254	30
	30	71	30	68,5	16	20S	M30x2	ISO 8434-1-S	PW3.1330.402	315	40	PW3.1330.403	270	30
	27	66	27	63,5	11	12L	M18x1,5	ISO 8434-1-L	PW5.1318.302	273	40	PW5.1318.303	228	30
	<b>AGS 3</b>	30	80	30	77,5	26	08L	M14x1,5	ISO 8434-1-L	PW3.1314.502	297	40	PW3.1314.503	252
30		80	30	77,5	26	10L	M16x1,5	ISO 8434-1-L	PW3.1316.502	300	40	PW3.1316.503	255	30
30		80	30	77,5	26	12L	M18x1,5	ISO 8434-1-L	PW3.1318.502	302	40	PW3.1318.503	257	30
30		90	30	87,5	36	12L	M18x1,5	ISO 8434-1-L	PW3.1318.512	310	40	PW3.1318.513	265	30
30		81	30	78,5	27	15L	M22x1,5	ISO 8434-1-L	PW3.1322.502	317	40	PW3.1322.503	272	30
30		81	30	78,5	27	18L	M26x1,5	ISO 8434-1-L	PW3.1326.502	334	40	PW3.1326.503	289	30
30		81	30	78,5	27	10S	M18x1,5	ISO 8434-1-S	PW3.1318.602	313	40	PW3.1318.603	268	30
30		81	30	78,5	27	12S	M20x1,5	ISO 8434-1-S	PW3.1320.602	318	40	PW3.1320.603	273	30
30		83	30	80,5	29	14S	M22x1,5	ISO 8434-1-S	PW3.1322.602	329	40	PW3.1322.603	284	30
30		83	30	80,5	29	16S	M24x1,5	ISO 8434-1-S	PW3.1324.602	333	40	PW3.1324.603	288	30
30		83	30	80,5	29	20S	M30x2	ISO 8434-1-S	PW3.1330.602	364	40	PW3.1330.603	319	30
27		80	27	77,5	26	12L	M18x1,5	ISO 8434-1-L	PW5.1318.502	289	40	PW5.1318.503	244	30
27		81	27	78,5	27	15L	M22x1,5	ISO 8434-1-L	PW5.1322.502	305	40	PW5.1322.503	260	30

**PV3 DN20 - BG 4 - ISO 19**



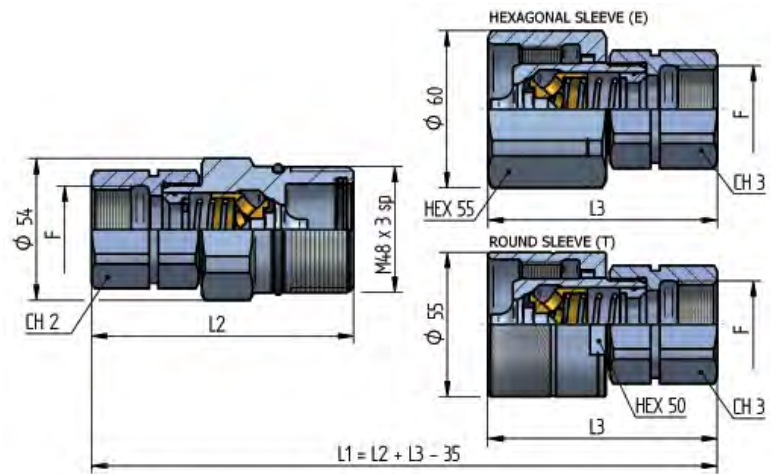
THREADS	L2	L3	L4	ØT	F	STANDARD	FEMMINA - FEMALE - MUFFE - FEMELLE			MASCHIO - MALE - STECKER - MALE		
							COD. F	Weight (g)	Packaging (pcs.)	COD. M	Weight (g)	Packaging (pcs.)
<b>IG 1</b>	83,5	76,5			BSP 1/2"	DIN 3852-2-X	PW3.2013.112	500	30	PW3.2013.113	443	28
	85	78			NPT 1/2"	ANSI B1.20.3	PW3.2013.012	510	30	PW3.2013.013	453	28
	85,5	78,5			BSP 3/4"	DIN 3852-2-X	PW3.2019.112	477	30	PW3.2019.113	420	28
	85	78			NPT 3/4"	ANSI B1.20.3	PW3.2019.012	485	30	PW3.2019.013	429	28
	81,5	74,5			M18x1,5	ISO 6149-1	PW3.2018.102	496	30	PW3.2018.103	439	28
	81	74			M22x1,5	ISO 6149-1	PW3.2022.102	479	30	PW3.2022.103	422	28
	85	78			M26x1,5	ISO 6149-1	PW3.2026.102	476	30	PW3.2026.103	419	28
	85	78			M30x1,5	ISO 6149-1	PW3.2030.102	449	30	PW3.2030.103	393	28
	<b>IG 2</b>	81	74			3/4"-16 UNF 2B	SAE J 1926-1	PW3.2019.032	489	30	PW3.2019.033	432
85		78			7/8"-14 UNF 2B	SAE J 1926-1	PW3.2023.032	501	30	PW3.2023.033	444	28
85		78			1"1/16-16 UN 2B	SAE J 1926-1	PW3.2027.032	471	30	PW3.2027.033	415	28
<b>AG 2</b>	92	85	22		1"1/16-16 UN 2A	SAE J 514	PW3.2027.302	449	30	PW3.2027.303	393	28
<b>AGS 2</b>	111,1	104,1	41,1		7/8"-14 UNF 2A	SAE J 514	PW3.2023.502	486	10	PW3.2023.503	430	25
	115,4	108,4	45,4		1"1/16-16 UN 2A	SAE J 514	PW3.2027.502	519	10	PW3.2027.503	463	25
<b>AG 5</b>	89	82	16		BSP 3/4"	DIN 3852-2-A	PW3.2019.712	468	30	PW3.2019.713	412	28
<b>AG 3</b>	81	74	11	12L	M18x1,5	ISO 8434-1-L	PW3.2018.302	435	30	PW3.2018.303	378	28
	82	75	12	15L	M22x1,5	ISO 8434-1-L	PW3.2022.302	439	30	PW3.2022.303	383	28
	82	75	12	18L	M26x1,5	ISO 8434-1-L	PW3.2026.302	446	30	PW3.2026.303	389	28
	84	77	14	22L	M30x2	ISO 8434-1-L	PW3.2030.302	449	30	PW3.2030.303	393	28
	82	75	12	10S	M18x1,5	ISO 8434-1-S	PW3.2018.402	438	30	PW3.2018.403	382	28
	82	75	12	12S	M20x1,5	ISO 8434-1-S	PW3.2020.402	441	30	PW3.2020.403	385	28
	84	77	14	14S	M22x1,5	ISO 8434-1-S	PW3.2022.402	445	30	PW3.2022.403	388	28
	84	77	14	16S	M24x1,5	ISO 8434-1-S	PW3.2024.402	448	30	PW3.2024.403	391	28
	86	79	16	20S	M30x2	ISO 8434-1-S	PW3.2030.402	462	30	PW3.2030.403	405	28
	<b>AGS 3</b>	96	89	26	12L	M18x1,5	ISO 8434-1-L	PW3.2018.502	451	10	PW3.2018.503	394
97		90	27	15L	M22x1,5	ISO 8434-1-L	PW3.2022.502	466	10	PW3.2022.503	409	25
97		90	27	18L	M26x1,5	ISO 8434-1-L	PW3.2026.502	483	10	PW3.2026.503	427	25
104		97	34	22L	M30x2	ISO 8434-1-L	PW3.2030.502	509	10	PW3.2030.503	453	25
97		90	27	10S	M18x1,5	ISO 8434-1-S	PW3.2018.602	459	10	PW3.2018.603	402	25
97		90	27	12S	M20x1,5	ISO 8434-1-S	PW3.2020.602	467	10	PW3.2020.603	410	25
99		92	29	14S	M22x1,5	ISO 8434-1-S	PW3.2022.602	475	10	PW3.2022.603	419	25
99		92	29	16S	M24x1,5	ISO 8434-1-S	PW3.2024.602	481	10	PW3.2024.603	425	25
104		97	34	20S	M30x2	ISO 8434-1-S	PW3.2030.602	504	10	PW3.2030.603	448	25
<b>AGS 4</b>	108,5	101,5	38,5		1"-14 UNS 2A	SAE J 1453	PW3.2025.532	518	10	PW3.2025.533	462	25

THREADS



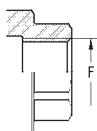


**PV3 DN25 - BG 5 - ISO 25**

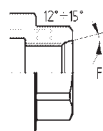


THREADS	CH2	L2	CH3	L3	L4	ØT	F	STANDARD	FEMMINA - FEMALE - MUFFE - FEMELLE			MASCHIO - MALE - STECKER - MALE		
									COD. F	Weight (g)	Pack. (pcs.)	COD. M	Weight (g)	Pack. (pcs.)
IG 1	41	100	41	87,5			BSP 3/4"	DIN 3852-2-X	PVV3.2519.112	837	10	PVV3.2519.113 T	696	18
				87,5			BSP 3/4"	DIN 3852-2-X					PVV3.2519.113 E	776
	41	100	41	87,5			NPT 3/4"	ANSI B1.20.3	PVV3.2519.012	844	10	PVV3.2519.013 T	703	18
				87,5			NPT 3/4"	ANSI B1.20.3					PVV3.2519.013 E	783
	41	100	41	87,5			BSP 1"	DIN 3852-2-X	PVV3.2525.112	782	10	PVV3.2525.113 T	641	18
				87,5			BSP 1"	DIN 3852-2-X					PVV3.2525.113 E	721
	41	100	41	87,5			NPT 1"	ANSI B1.20.3	PVV3.2525.012	795	10	PVV3.2525.013 T	654	18
				87,5			NPT 1"	ANSI B1.20.3					PVV3.2525.013 E	734
41	100	41	87,5			M30x1,5	ISO 6149-1	PVV3.2530.102	810	10	PVV3.2530.103 T	669	18	
			87,5			M30x1,5	ISO 6149-1					PVV3.2530.103 E	749	18
IG 2	41	100	41	87,5			1"1/16-16 UN 2B	SAE J 1926-1	PVV3.2527.032	831	10	PVV3.2527.033 T	690	18
				87,5			1"1/16-16 UN 2B	SAE J 1926-1					PVV3.2527.033 E	770
	41	100	41	87,5			1"5/16-12 UN 2B	SAE J 1926-1	PVV3.2533.032	772	10	PVV3.2533.033 T	631	18
				87,5			1"5/16-12 UN 2B	SAE J 1926-1					PVV3.2533.033 E	711
AG 5	41	102	41	89,5	18		BSP 1"	DIN 3852-2-B	PVV3.2525.212	781	10	PVV3.2525.213 T	641	18
				89,5	18		BSP 1"	DIN 3852-2-B					PVV3.2525.213 E	721
	41	100	41	87,5	16		BSP 3/4"	DIN 3852-2-A	PVV3.2519.712	755	10	PVV3.2519.713 T	615	18
				87,5	16		BSP 3/4"	DIN 3852-2-A					PVV3.2519.713 E	695
	41	102	41	89,5	18		BSP 1"	DIN 3852-2-A	PVV3.2525.712	781	10	PVV3.2525.713 T	641	18
				89,5	18		BSP 1"	DIN 3852-2-A					PVV3.2525.713 E	721

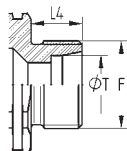
**THREADS**



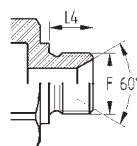
IG 1



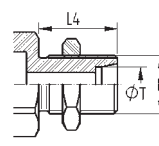
IG 2



AG 3



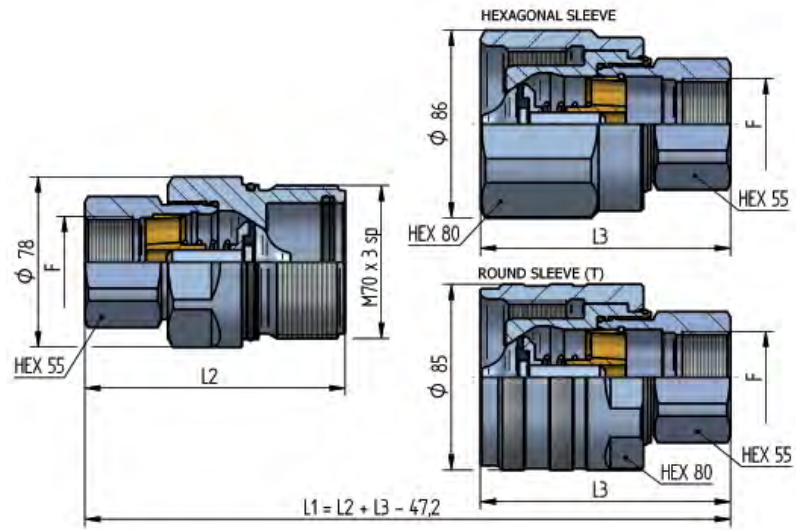
AG 5



AGS 3

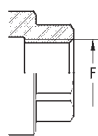
THREADS	CH2	L2	CH3	L3	L4	ØT	F	STANDARD	FEMMINA - FEMALE - MUFFE - FEMELLE			MASCIO - MALE - STECKER - MALE			
									COD. F	Weight (g)	Pack. (pcs.)	COD. M	Weight (g)	Pack. (pcs.)	
AG 3	41	93	41	80,5	12	18L	M26x1,5	ISO 8434-1-L	PVV3.2526.302	732	10	PVV3.2526.303 T	591	18	
			41	80,5	12	18L	M26x1,5	ISO 8434-1-L				PVV3.2526.303 E	671	18	
		41	95	41	82,5	14	22L	M30x2	ISO 8434-1-L	PVV3.2530.302	737	10	PVV3.2530.303 T	596	18
				41	82,5	14	22L	M30x2	ISO 8434-1-L				PVV3.2530.303 E	676	18
		41	95	41	82,5	14	28L	M36x2	ISO 8434-1-L	PVV3.2536.302	742	10	PVV3.2536.303 T	601	18
				41	82,5	14	28L	M36x2	ISO 8434-1-L				PVV3.2536.303 E	681	18
		46	97	46	84,5	16	35L	M45x2	ISO 8434-1-L	PVV3.2545.302	831	10	PVV3.2545.303 T	690	18
				46	84,5	16	35L	M45x2	ISO 8434-1-L				PVV3.2545.303 E	770	18
		41	97	41	84,5	16	20S	M30x2	ISO 8434-1-S	PVV3.2530.402	748	10	PVV3.2530.403 T	607	18
				41	84,5	16	20S	M30x2	ISO 8434-1-S				PVV3.2530.403 E	687	18
		41	99	41	86,5	18	25S	M36x2	ISO 8434-1-S	PVV3.2536.402	771	10	PVV3.2536.403 T	630	18
				41	86,5	18	25S	M36x2	ISO 8434-1-S				PVV3.2536.403 E	710	18
		46	101	46	88,5	20	30S	M42x2	ISO 8434-1-S	PVV3.2542.402	852	10	PVV3.2542.403 T	711	18
				46	88,5	20	30S	M42x2	ISO 8434-1-S				PVV3.2542.403 E	791	18
		55	103	55	90,5	22	38S	M52x2	ISO 8434-1-S	PVV3.2552.402	1039	10	PVV3.2552.403 T	898	18
				55	90,5	22	38S	M52x2	ISO 8434-1-S				PVV3.2552.403 E	978	18
AGS 3	41	115	41	103	34	18L	M26x1,5	ISO 8434-1-L	PVV3.2526.502	820	10	PVV3.2526.503 T	679	10	
			41	103	34	18L	M26x1,5	ISO 8434-1-L				PVV3.2526.503 E	759	10	
		41	115	41	103	34	22L	M30x2	ISO 8434-1-L	PVV3.2530.502	846	10	PVV3.2530.503 T	705	10
				41	103	34	22L	M30x2	ISO 8434-1-L				PVV3.2530.503 E	785	10
		41	115	41	103	34	28L	M36x2	ISO 8434-1-L	PVV3.2536.502	883	10	PVV3.2536.503 T	742	10
				41	103	34	28L	M36x2	ISO 8434-1-L				PVV3.2536.503 E	822	10
		46	121	46	109	40	35L	M45x2	ISO 8434-1-L	PVV3.2545.502	1098	10	PVV3.2545.503 T	957	10
				46	109	40	35L	M45x2	ISO 8434-1-L				PVV3.2545.503 E	1037	10
		41	117	41	105	36	20S	M30x2	ISO 8434-1-S	PVV3.2530.602	863	10	PVV3.2530.603 T	722	10
				41	105	36	20S	M30x2	ISO 8434-1-S				PVV3.2530.603 E	802	10
		41	119	41	107	38	25S	M36x2	ISO 8434-1-S	PVV3.2536.602	924	10	PVV3.2536.603 T	783	10
				41	107	38	25S	M36x2	ISO 8434-1-S				PVV3.2536.603 E	863	10
		46	121	46	109	40	30S	M42x2	ISO 8434-1-S	PVV3.2542.602	1034	10	PVV3.2542.603 T	893	10
				46	109	40	30S	M42x2	ISO 8434-1-S				PVV3.2542.603 E	973	10
		55	134	55	122	53	38S	M52x2	ISO 8434-1-S	PVV3.2552.602	1333	10	PVV3.2552.603 T	1192	10
				55	122	53	38S	M52x2	ISO 8434-1-S				PVV3.2552.603 E	1272	10

**PVV3 DN30 - BG 6 - ISO 31.5**

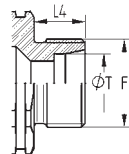


THREADS	L2	L3	L4	ØT	F	STANDARD	FEMMINA - FEMALE - MUFFE - FEMELLE			MASCHIO - MALE - STECKER - MALE		
							COD. F	Weight (g)	Packaging (pcs.)	COD. M	Weight (g)	Packaging (pcs.)
<b>IG 1</b>	119,2	114,5			BSP 1"¼	DIN 3852-2-X	PW3.3031.112	1876	5	PW3.3031.113	2132	5
										PW3.3031.113 T	2264	5
	119,2	114,5			NPT 1"¼	ANSI B1.20.3	PW3.3031.012	1894	5	PW3.3031.013	2150	5
										PW3.3031.013 T	2282	5
	120,7	116			BSP 1"½	DIN 3852-2-X	PW3.3039.112	1804	5	PW3.3039.113	2060	5
										PW3.3039.113 T	2192	5
	120,7	116			NPT 1"½	ANSI B1.20.3	PW3.3039.012	1821	5	PW3.3039.013	2077	5
										PW3.3039.013 T	2209	5
<b>AG 3</b>	117,7	113	16	42L	M52x2	ISO 8434-1-L	PW3.3052.302	1815	5	PW3.3052.303	2071	5
										PW3.3052.303 T	2203	5
	121,7	117	20	30S	M42x2	ISO 8434-1-S	PW3.3042.402	1823	5	PW3.3042.403	2079	5
										PW3.3042.403 T	2211	5
	121,2	116,5	22	38S	M52x2	ISO 8434-1-S	PW3.3052.402	1844	5	PW3.3052.403	2100	5
										PW3.3052.403 T	2232	5
<b>AGS 3</b>	141,7	137	40	30S	M42x2	ISO 8434-1-S	PW3.3042.602	2007	5	PW3.3042.603	2263	5
										PW3.3042.603 T	2395	5
	152,2	147,5	53	38S	M52x2	ISO 8434-1-S	PW3.3052.602	2135	5	PW3.3052.603	2391	5
										PW3.3052.603 T	2523	5

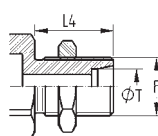
**THREADS**



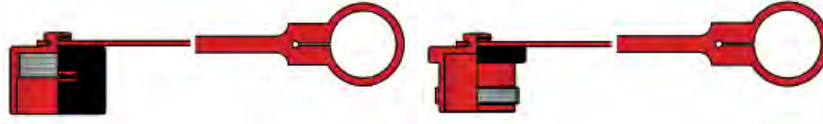
**IG 1**



**AG 3**



**AGS 3**

**PLASTIC**


NOMINAL SIZE		FEMALE DUST CAP				MALE DUST PLUG				COLOUR	MATERIAL
DNP	BG	ISO	COD. F	Weight (g)	Packaging (pcs.)	COD. M	Weight (g)	Packaging (pcs.)			
06	1	6.3	SPV.06002	12	50	SPV.06003	11	50	RED	Polypropylene	
10	2	10	SPV.10002	10	100	SPV.10003	9	100	RED	Polypropylene	
13	3	12.5	SPV.13002	15	40	SPV.13003	13	50	RED	Polypropylene	
13	3	12.5	SPV.13042	15	40	SPV.13043	13	50	BLACK	Polypropylene	
20	4	19	SPV.20002	18	30	SPV.20003	21	30	RED	Polypropylene	
25	5	25	SPV.25002	23	25	SPV.25003	20	25	RED	Polypropylene	
30	6	31.5	SPV.30002	52	20	SPV.30003	56	20	RED	Polypropylene	

**METAL**


NOMINAL SIZE		FEMALE DUST CAP				MALE DUST PLUG				COLOUR	MATERIAL
DNP	BG	ISO	COD. F	Weight (g)	Packaging (pcs.)	COD. M	Weight (g)	Packaging (pcs.)			
10	2	10	SPV.10202	40	80	SPV.10203	51	80	-	Aluminium	
13	3	12.5	SPV.13202	57	60	SPV.13203	66	60	-	Aluminium	
20	4	19	SPV.20202	65	50	SPV.20203	103	40	-	Aluminium	
25	5	25	SPV3.25202	75	30	SPV3.25203	111	30	-	Aluminium	
30	6	31.5	SPV.30202	188	20	SPV.30203	219	20	-	Aluminium	

**GUARNIZIONI DI RICAMBIO / SPARE PARTS / ERSATZDICHTUNGEN / JOINTS**

AL CODICE DELLA GUARNIZIONE IN NBR AGGIUNGERE 'E' PER EPDM o 'V' PER VITON

TO THE NBR GASKET CODE ADD 'E' FOR EPDM OR 'V' FOR VITON

ZU DER ARTIKELNR. DER NBR DICHTUNG GEBEN SIE 'E' FUER EPDM ODER 'V' FUER VITON AN

AU CODE DU JOINT EN NBR JOINDRE 'E' POUR EPDM OU 'V' POUR VITON

NOMINAL SIZE		FEMALE GASKET			OUTSIDE O-RING
DNP	BG	ISO	NBR	PTFE	NBR
06	1	6.3	PVV.006.120	PVV.006.130	PVV.006.121
10	2	10	PVV.010.120	PVV.010.130	PVV.013.120
13	3	12.5	PVV.013.120	PVV.013.130	PVV.013.121
20	4	19	PVV.019.120	PVV.019.130	PVV.019.121
25	5	25	PAV.025.120	PVV.025.130	PVV.025.121
30	6	31.5	PVV.030.120	PVV.030.130	PAV.050.120